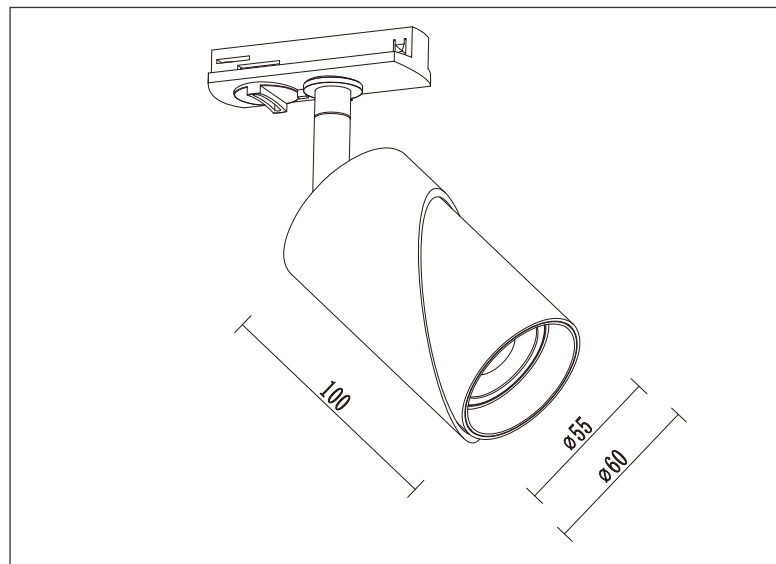


## Two Wires Single Circuit - Spotlight



### Technical Specification

Art No.:	LIC-T1081
Material:	Aluminum
Finish Color:	Black/White

Light Source:	GU10 (not included)
Power Supply:	AC220-240V 50/60Hz
Power:	Max 7W

