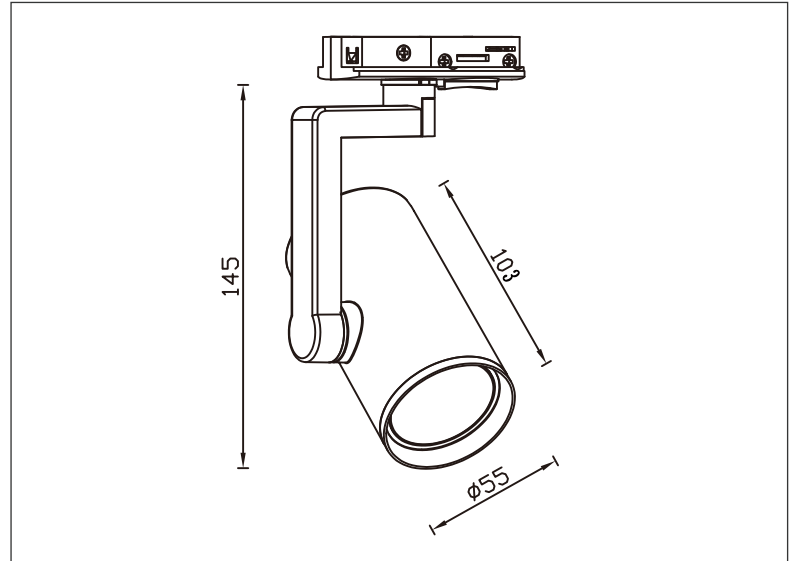


## Two Wires Single Circuit - Spotlight



### Technical Specification

Art No.:	LIC-T1056-A	Light Source:	GU10 (not included)
Material:	Aluminum	Power Supply:	AC220-240V 50/60Hz
Finish Color:	Black/White	Power:	Max 7W

