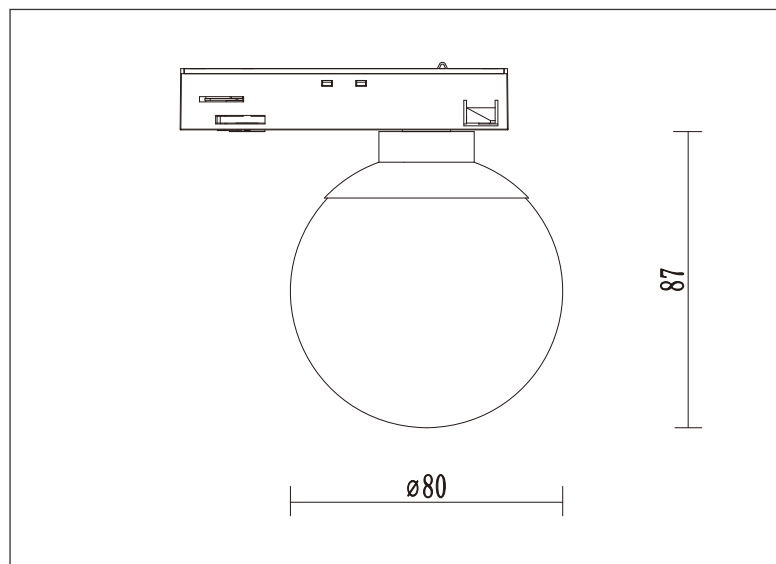


## Mini Two Wires Single Circuit - Spotlight



### Technical Specification

|               |                    |                        |                   |
|---------------|--------------------|------------------------|-------------------|
| Art No.:      | LIC-MTLED071       | Light Source:          | LED/COB           |
| Material:     | Aluminum+PC        | Luminous Flux:         | 150 lm            |
| Finish Color: | Black/White        | CCT:                   | 2700K/3000K/4000K |
| Driver Type:  | DOB                | Color Rendering Index: | CRI: ≥90          |
| Power Supply: | AC220-240V 50/60Hz | Optic:                 | Opal Diffuser     |
| System Power: | 3W                 | Beam Angle:            | 270°              |
| Power Factor: | >0.5               | Lifespan:              | 30000Hrs          |

