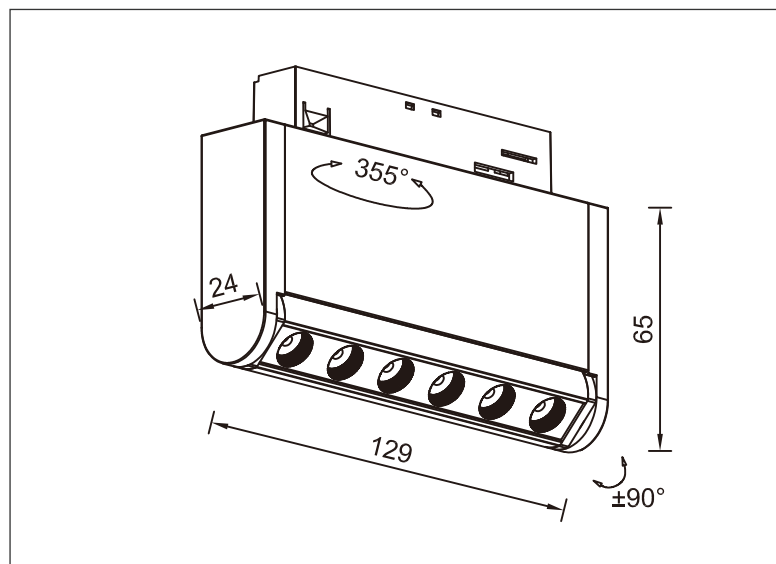


## Mini Two Wires Single Circuit - Spotlight



### Technical Specification

Art No.: LIC-MTLED057-6

Light Source: LED/SMD

Material: Aluminum+PC

Luminous Flux: 420 lm

Finish Color: Black/White

CCT: 2700K/3000K/4000K

Driver Type: Integrated Driver

Color Rendering Index: CRI: ≥90

Power Supply: AC220-240V 50/60Hz

Optic: Lens

System Power: 6W

Beam Angle: 24° /36°

Power Factor: >0.5

Lifespan: 30000Hrs

