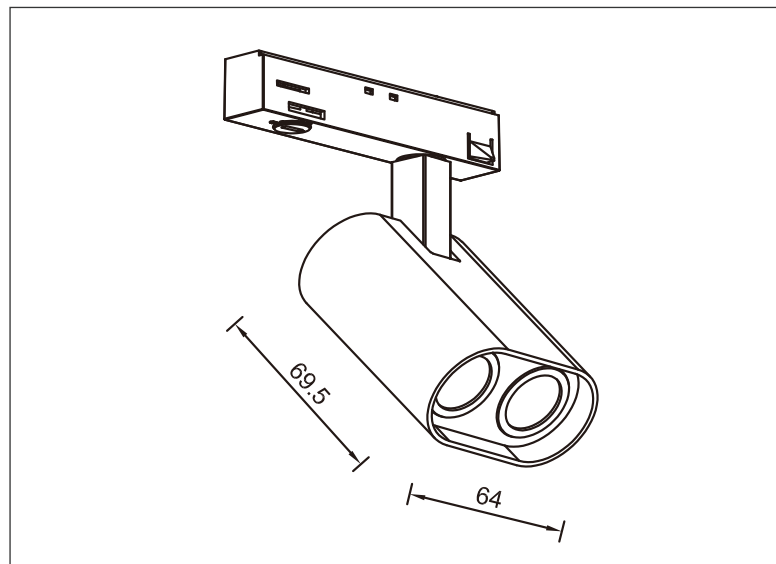


## Mini Two Wires Single Circuit - Spotlight



### Technical Specification

Art No.: LIC-MT1099-2

Material: Aluminum

Finish Color: Black/White

Light Source: G9 (not included)

Power Supply: AC220-240V 50/60Hz

Power: Max 2\*3W

