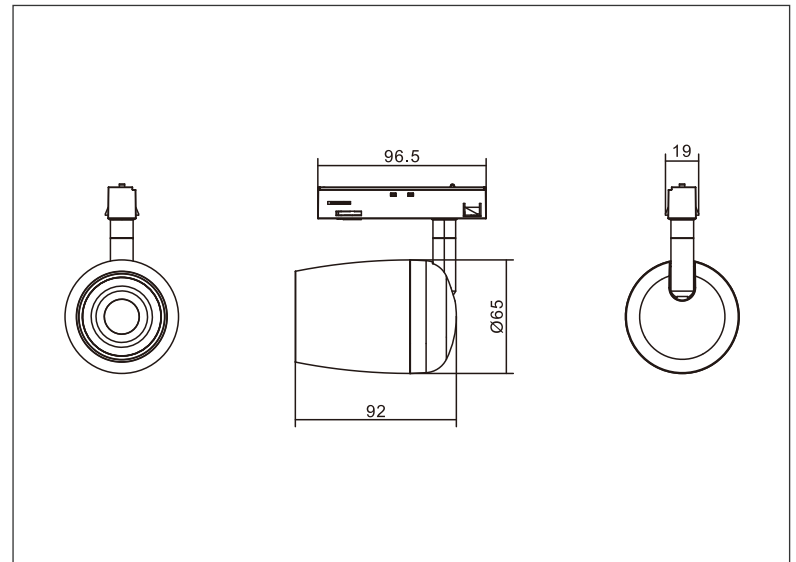


Mini Two Wires Single Circuit - Spotlight



Technical Specification

Art No.: LIC-MT1098-MR11

Light Source: GU10 (not included)

Material: Aluminum

Power Supply: AC220-240V 50/60Hz

Finish Color: Black/White

Power: Max 5W Max 5W

