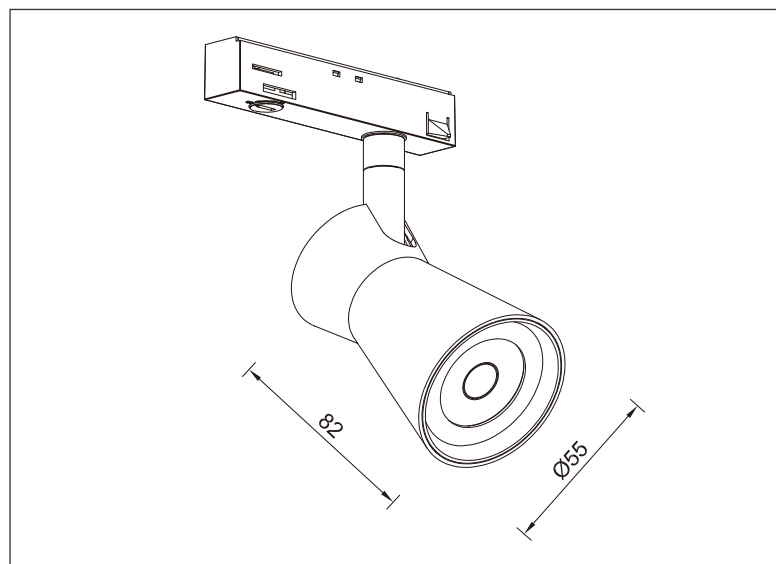


Mini Two Wires Single Circuit - Spotlight



Technical Specification

Art No.: LIC-MT1097-MR11

Material: Aluminum

Finish Color: Black/White

Light Source: Mini GU10 (not included)

Power Supply: AC220-240V 50/60Hz

Power: Max 5W

