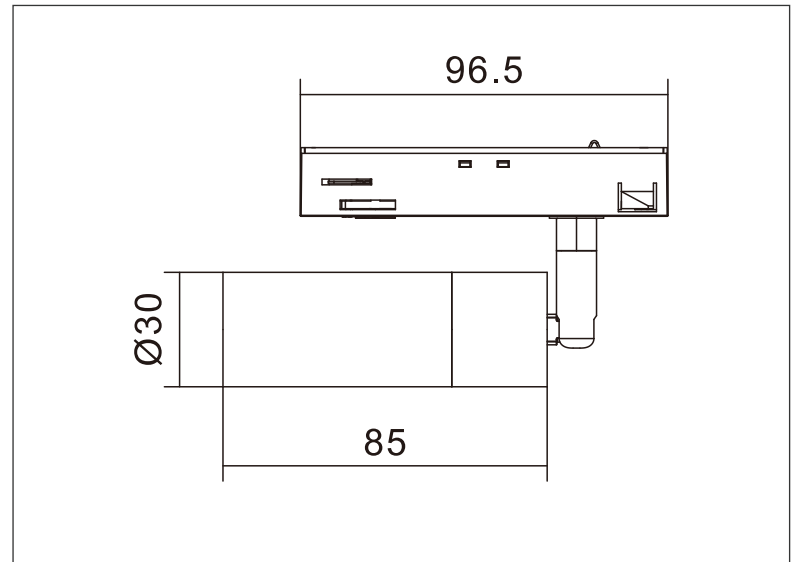


## Mini Two Wires Single Circuit - Spotlight



### Technical Specification

|               |             |               |                    |
|---------------|-------------|---------------|--------------------|
| Art No.:      | LIC-MT1089  | Light Source: | G9 (not included)  |
| Material:     | Aluminum    | Power Supply: | AC220-240V 50/60Hz |
| Finish Color: | Black/White | Power:        | Max 3W             |

