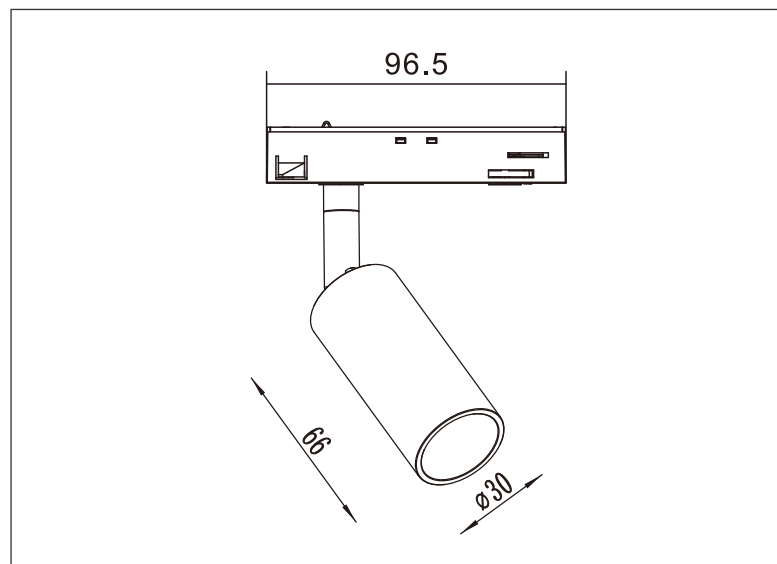


Mini Two Wires Single Circuit - Spotlight



Technical Specification

Art No.: LIC-MT1087

Light Source: G9 (not included)

Material: Aluminum

Power Supply: AC220-240V 50/60Hz

Finish Color: Black/White

Power: Max 3W

