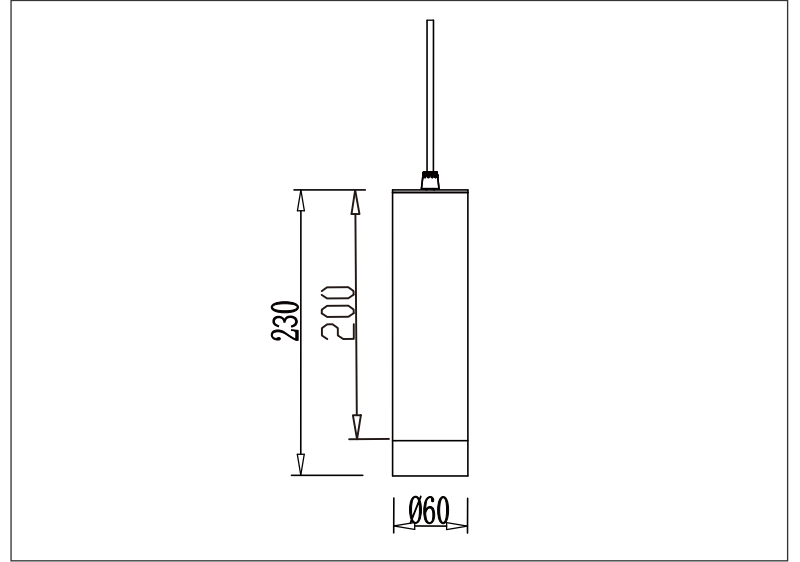


Two Wires Single Circuit - Pendant



Technical Specification

Art No.: LIC-C025 PMMA

Material: Aluminum+PMMA

Finish Color: Black/White

Light Source: GU10 (not included)

Power Supply: AC220-240V 50/60Hz

Power: Max 7W

