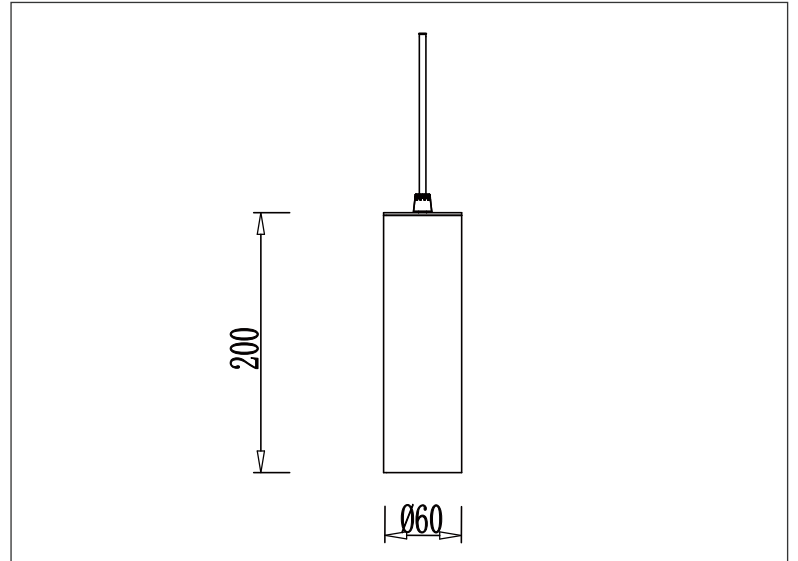


## Two Wires Single Circuit - Pendant



### Technical Specification

Art No.: LIC-C025 200

Material: Aluminum

Finish Color: Black/White

Light Source: GU10 (not included)

Power Supply: AC220-240V 50/60Hz

Power: Max 7W

