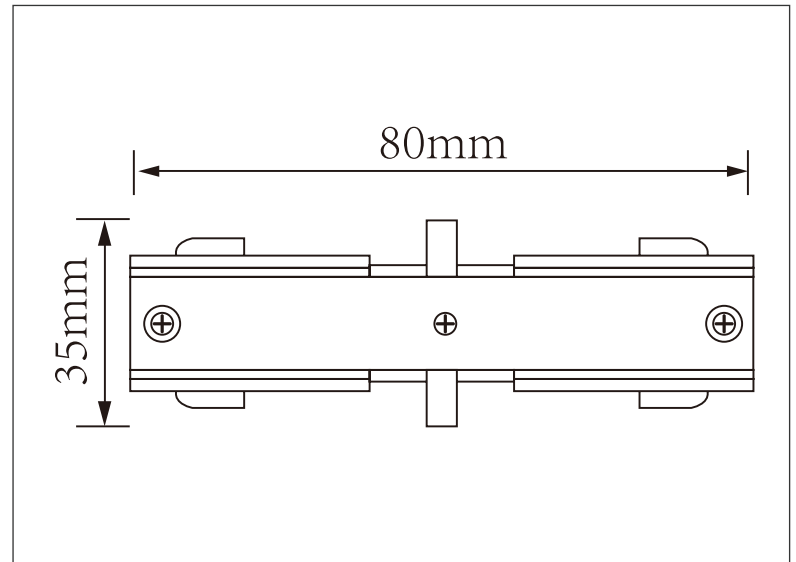


Three Wires Single Circuit - Straight Connector



Technical Specification

Art No.:	LIC-3A01 IS	Current:	Max 10A
Material:	PC+Copper	Maximum Load:	2200W
Color:	Black/White	Safety Class:	1
Working Voltage:	220-240V 50/60Hz	Ingress Protection:	IP20