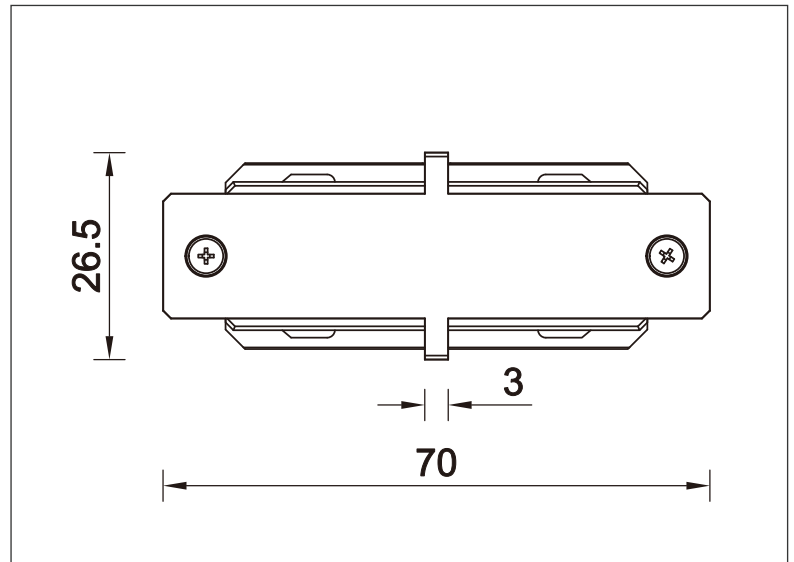


Mini Two Wires Single Circuit - Straight Connector



Technical Specification

| | | | |
|------------------|------------------|---------------------|--------|
| Art No.: | LIC-2M01 IS | Current: | Max 8A |
| Material: | PC+Copper | Maximum Load: | 1600W |
| Color: | Black/White | Safety Class: | 1 |
| Working Voltage: | 220-240V 50/60Hz | Ingress Protection: | IP20 |