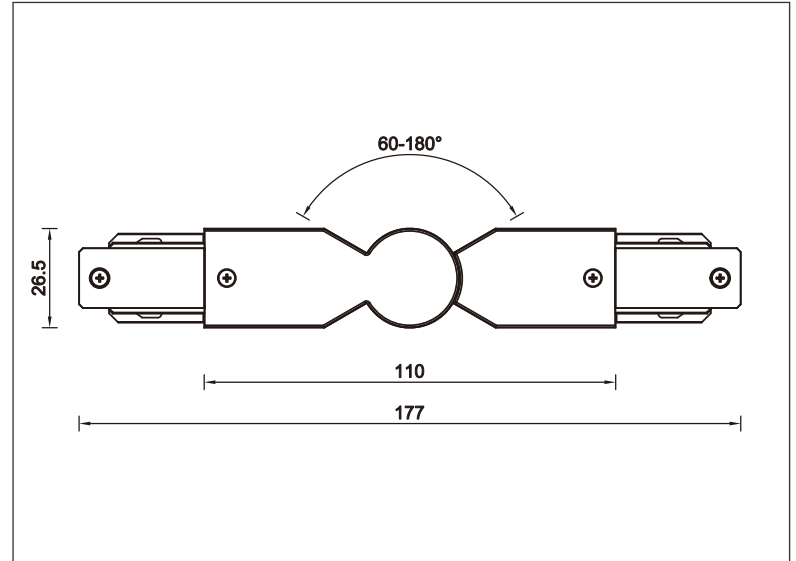


Mini Two Wires Single Circuit - Flexible Connector



Technical Specification

Art No.:	LIC-2M01 F	Current:	Max 8A
Material:	PC+Copper	Maximum Load:	1600W
Color:	Black/White	Safety Class:	1
Working Voltage:	220-240V 50/60Hz	Ingress Protection:	IP20