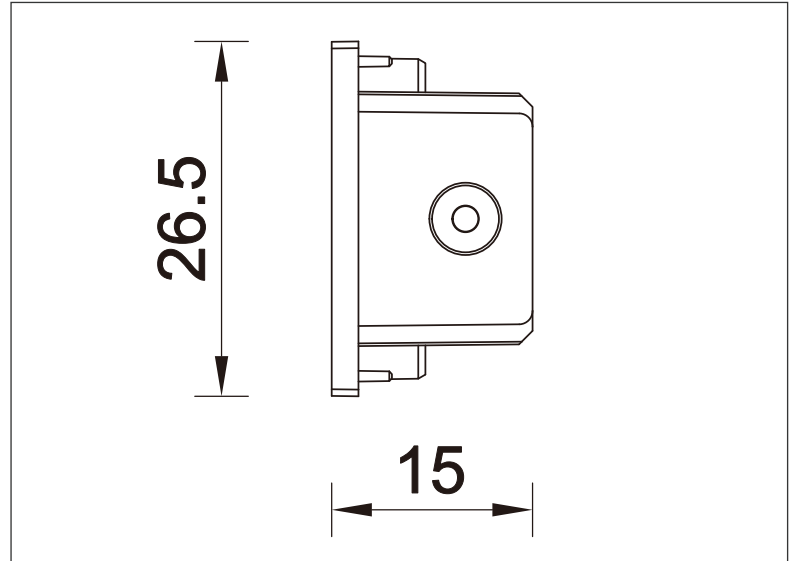


Mini Two Wires Single Circuit - End Cap



Technical Specification

Art No.: LIC-2M01 E

Color: Black/White

Material: PC