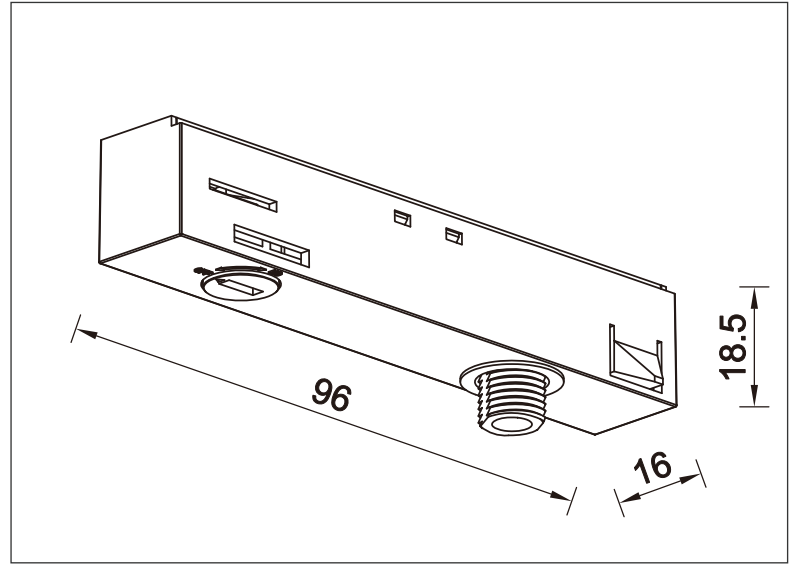


## Mini Two Wires Single Circuit - Adaptor



### Technical Specification

Art No.:	LIC-2M01 A	Current:	Max 4A
Material:	PC+Copper	Maximum Load:	800W
Color:	Black/White	Safety Class:	1
Working Voltage:	220-240V 50/60Hz	Ingress Protection:	IP20