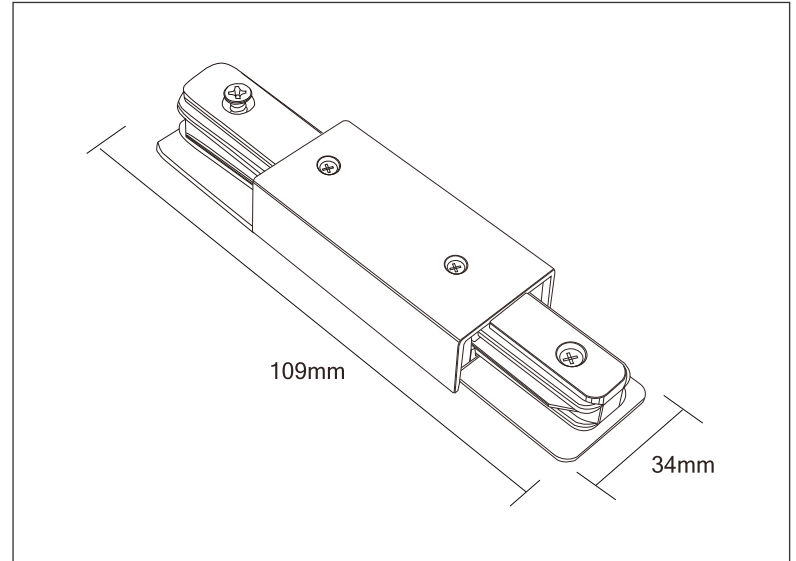


## Two Wires Single Circuit - I-feed



### Technical Specification

Art No.:	LIC-2A04IM
Material:	PC+Copper
Color:	Black/White
Working Voltage:	220-240V 50/60Hz

Current:	Max 6A
Maximum Load:	1300W
Safety Class:	1
Ingress Protection:	IP20