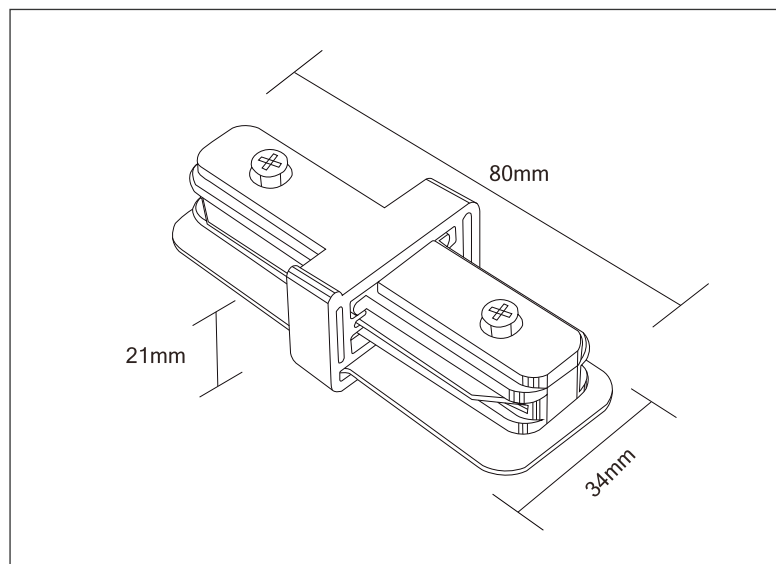


Two Wires Single Circuit - Straight Connector



Technical Specification

Art No.: LIC-2A04I

Material: PC+Copper

Color: Black/White

Working Voltage: 220-240V 50/60Hz

Current: Max 6A

Maximum Load: 1300W

Safety Class: 1

Ingress Protection: IP20