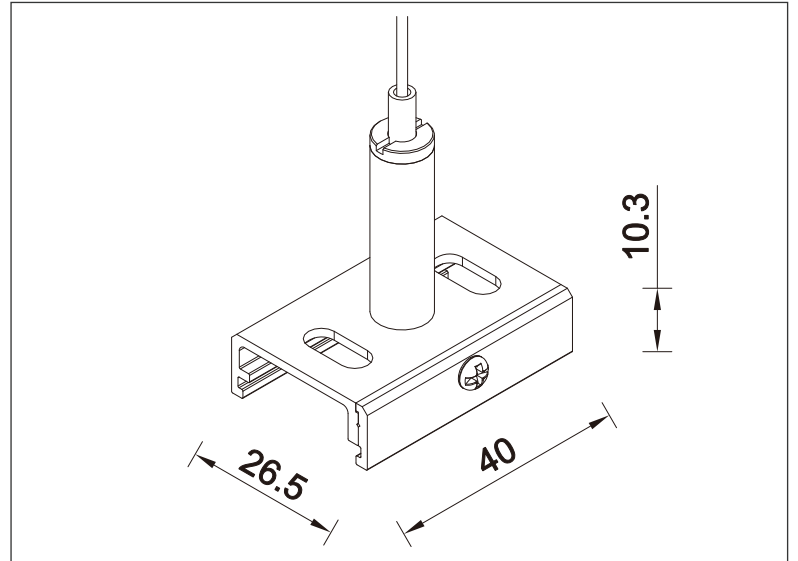


Mini Two Wires Single Circuit - Pendant Clamp



Technical Specification

Art No.: LIC-2A04 D

Color: Black/White

Material: Aluminum+Stainless Steel