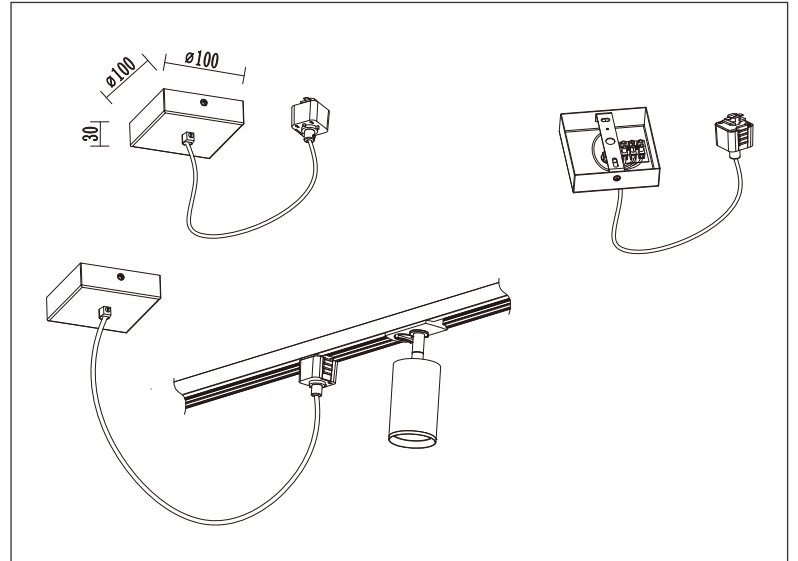


Two Wires Single Circuit - Adaptor with Cable (Square Ceiling Box)



Technical Specification

Art No.:	LIC-2A04-A-S	Current:	Max 6A
Material:	PC+Steel	Maximum Load:	1300W
Color:	Black/White	Safety Class:	1
Working Voltage:	220-240V 50/60Hz	Ingress Protection:	IP20